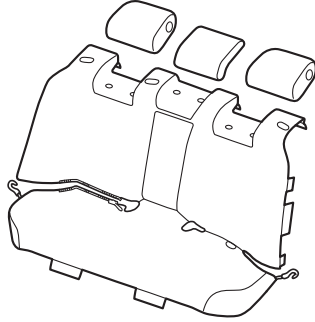
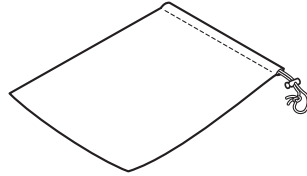


PARTS LIST

Rear seat cover



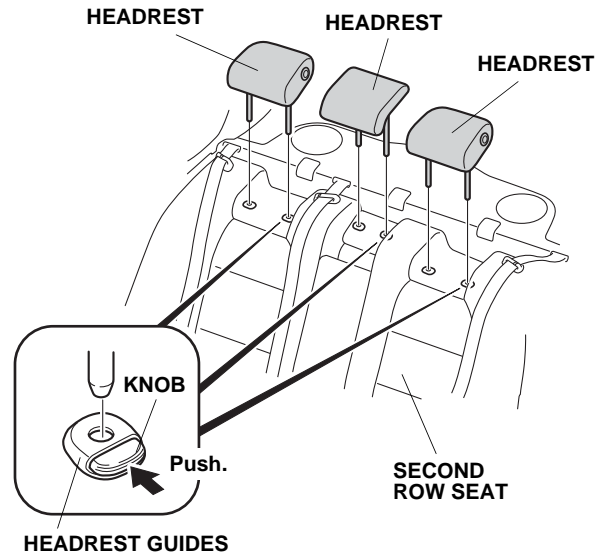
Storage bag



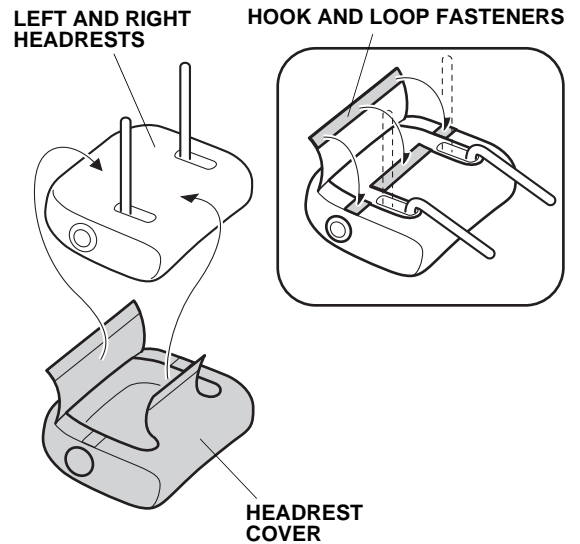
INSTALLATION

Installing the Headrest Covers

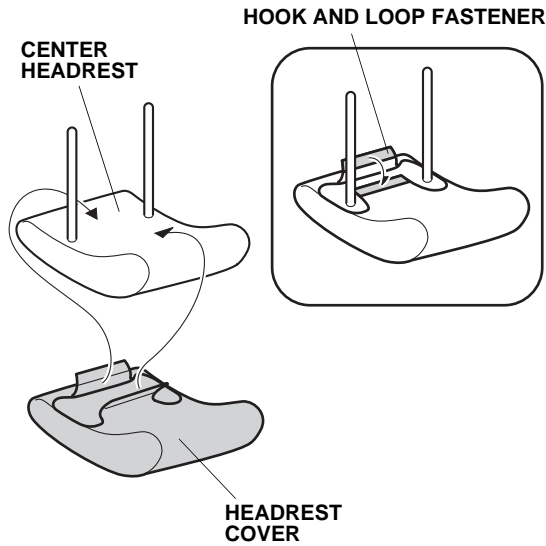
1. While pressing on the headrest guide knob, remove each headrest by pulling it upward.



2. Install the left and right headrest covers: Fit the headrest cover over the headrest, and adjust it so that it fits smoothly over the edges. Secure the hook and loop fasteners.

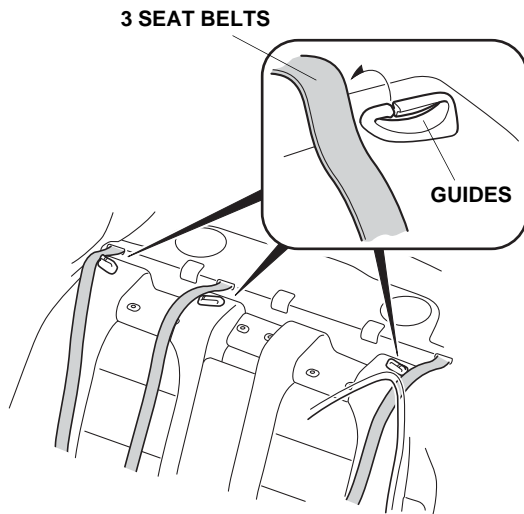


3. Install the center headrest cover: Fit the headrest cover over the headrest, and adjust it so that it fits smoothly over the edges. Secure the hook and loop fastener.

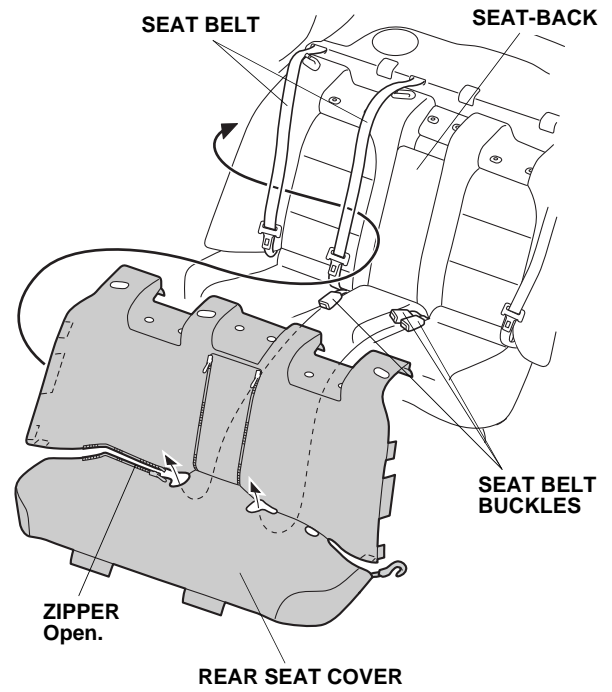


Installing the Rear Seat Cover

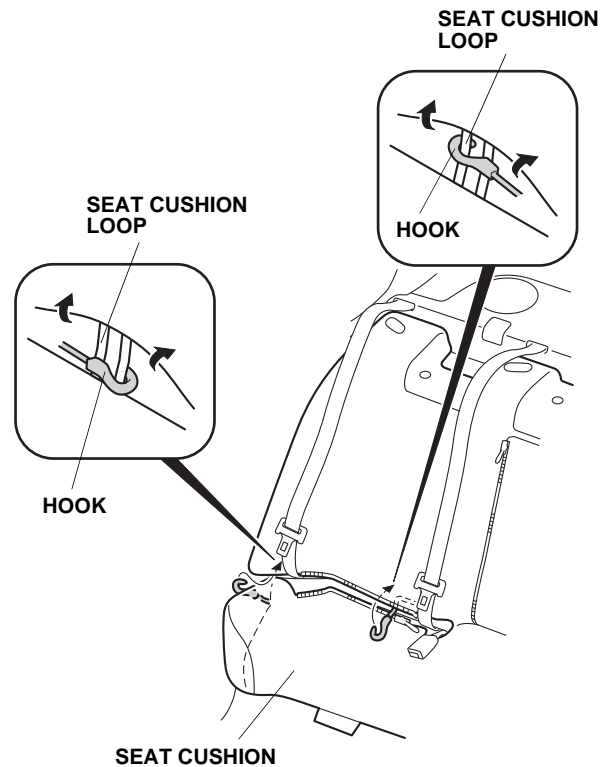
4. Release the three seat belts from the seat belt guides.



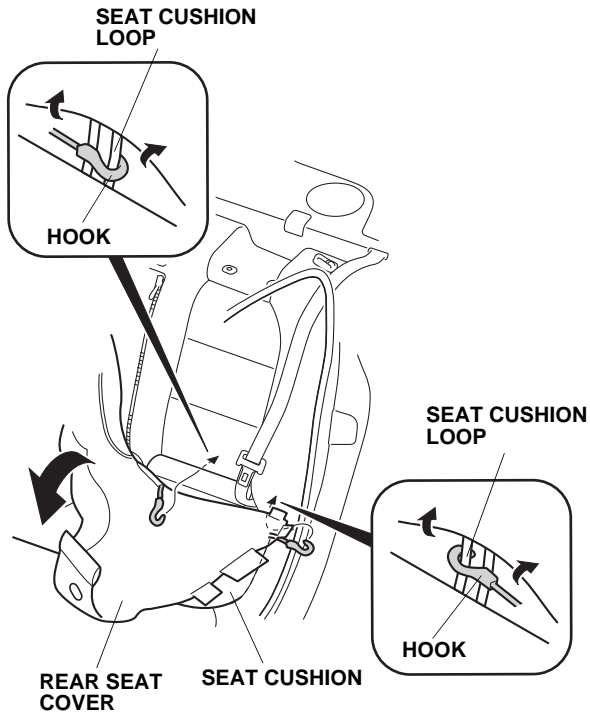
5. Open the zipper. Route the center and right seat belts through the slit in the rear seat cover.



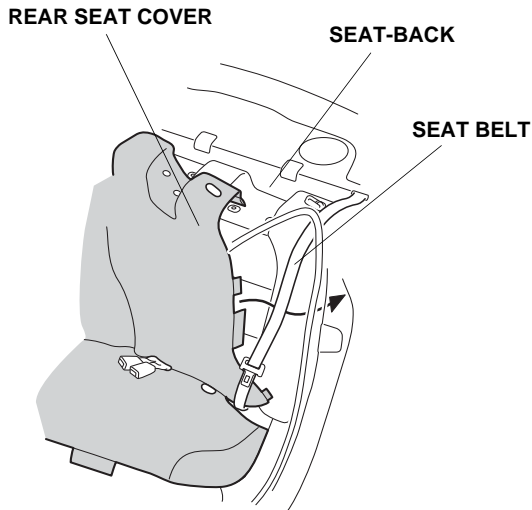
6. Route the seat belt buckles through the holes in the rear seat cover, then install the rear seat cover over the seat-back.
7. Attach the two seat cover hooks to the loop on the seat cushion.



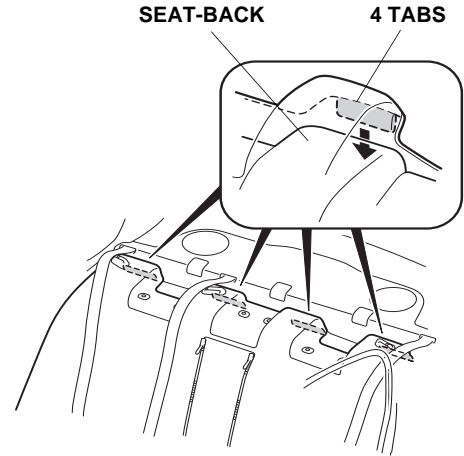
- Pull the rear seat cover toward the left seat, and attach the two seat cover hooks to the loops on the seat cushion.



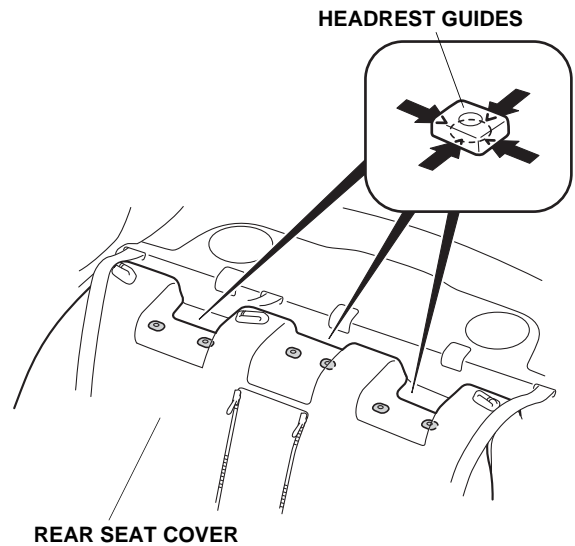
- Route the left seat belt through the slit in the rear seat cover, then fit the entire rear seat cover over the seat-back.



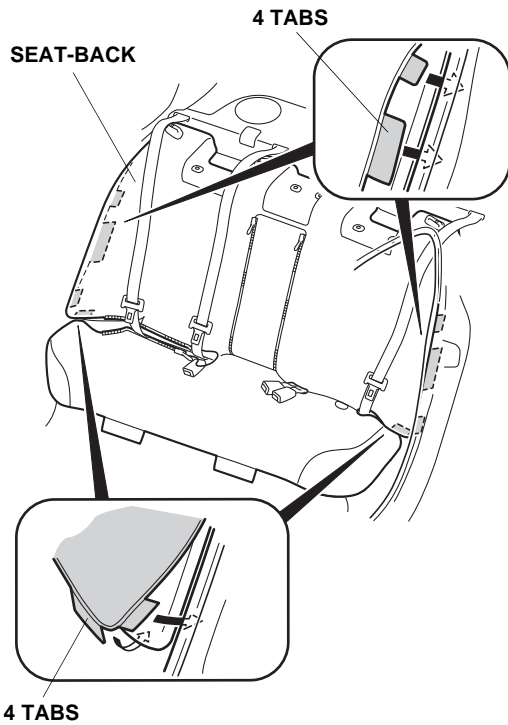
- Tuck the four tabs into the back of the seat-back.



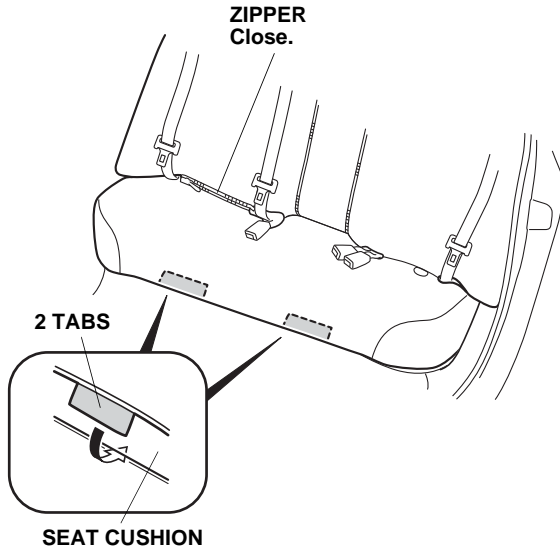
- Tuck the seat cover under the headrest guides.



12. Tuck the four tabs into the seat-back.



13. Close the zipper.



14. Tuck the two tabs into the bottom seat cushion.
15. Fit the corners of the seat covers around the seat, and adjust the cover so it fits smoothly over the edges.
16. Reinstall the seat belts into the guides.
17. Reinstall the headrests.

USE AND CARE

To clean the seat covers, follow the instructions on the label sewn to the side of the rear seat cover.